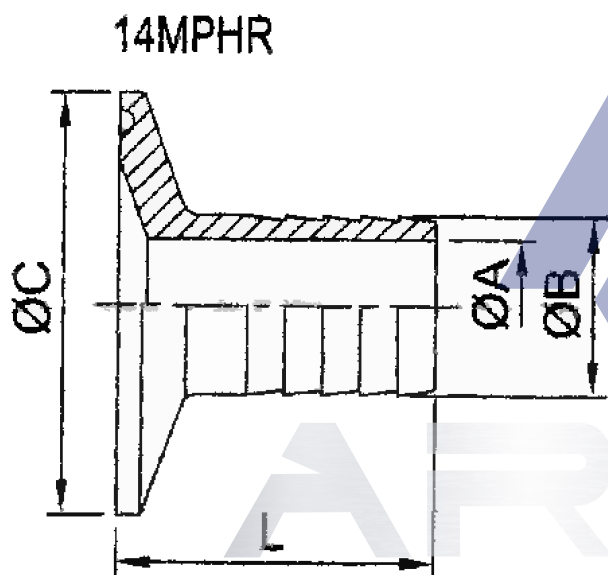


Adaptador clamp / espiga para manguera

SKU: AR14MPHR

Categoría / Sanitario



SIZE	ØA	ØB	ØC	L	L1
1/2"x1/2"	9.5	13.7	25	38	25.3
3/4"x3/4"	15.8	21.4	25	38	25.3
1.0"x1/2"	9.5	13.7	50.5	38	25.3
1.0"x3/4"	15.8	21.4	50.5	38	25.3
1.0"x1.0"	20.6	25.4	50.5	43	30.3
1.5"x1/2"	9.5	13.7	50.5	38	25.3
1.5"x3/4"	15.8	21.4	50.5	38	25.3
1.5"x1.0"	20.6	25.4	50.5	43	25.3
1.5"x1.5"	33.2	38.1	50.5	43	30.3
2.0"x1.5"	33.2	38.1	64	43	30.3
2.0"x2.0"	46	50.8	64	58.7	46
2.5"x2.5"	58.7	63.5	77.5	59.5	46.8
3.0"x3.0"	72	76.2	91	78.6	65.9
4.0"x4.0"	97.6	101.6	119	85.5	72.8

Conexiones sanitarias